

The path must enter each node as many times as it departs. Therefore, the number of bridges to each node must be even.

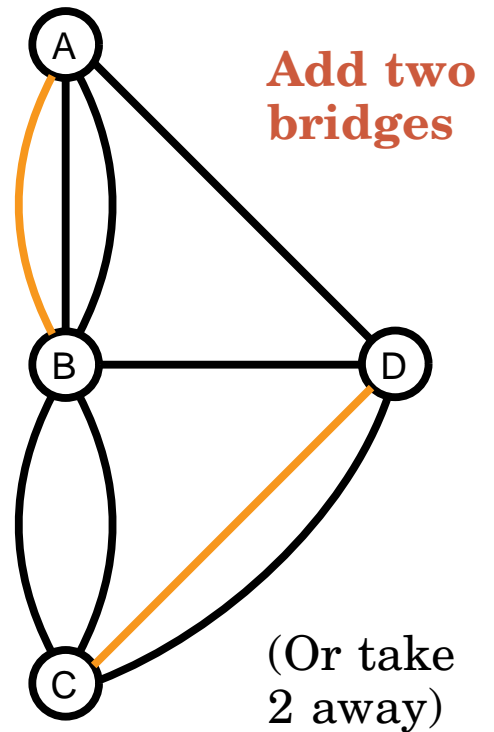
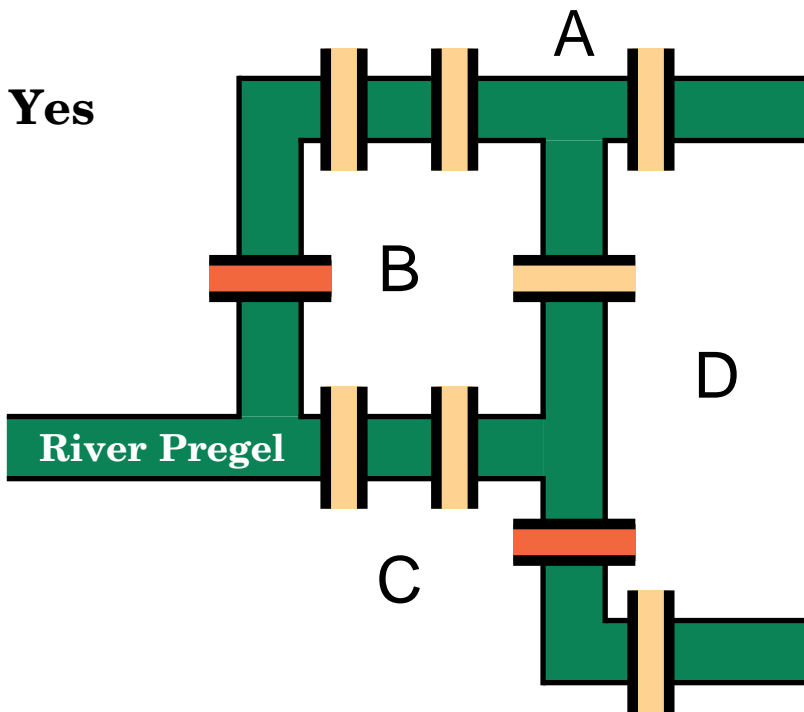


Figure 7 Revisiting Königsberg and the bridge problem.